



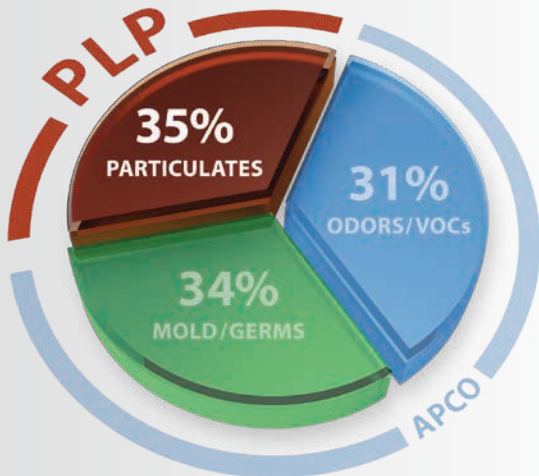
PURITY LOW PROFILE

POLARIZED FILTRATION SYSTEM

Conventional HVAC filters only capture the largest particles. Unfortunately, it's the fine particulates that are the greater threat. There are costly filter systems on the market which capture fine particles but they require expensive retrofitting and tend to restrict air-flow, which increases static pressure resulting in reduced HVAC efficiency and energy loss.

- UV-reactive filter media with antimicrobial nanotechnology
- Captures particulates, allergens, pet dander, dust mites, spores, etc.
- 97% effective capturing particles down to .3 microns (.00001 inch)
- Low-cost media replacement (*3-6 months on average)
- Fits standard 1" filter slot
- Lifetime system warranty

Purity Low Profile captures particulates of all sizes (down to an incredibly small 0.1 microns). It uses an electro-static charge to attract and clump particles together making them easier to capture without restricting air-flow.

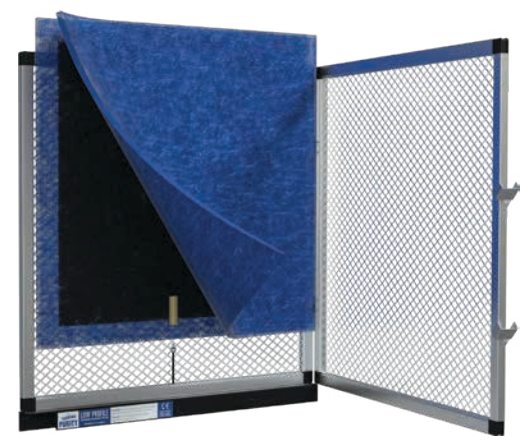
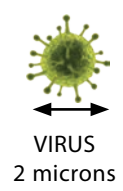
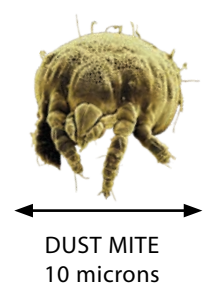


Airborne contaminants can be divided roughly into thirds. PLP captures particulates much more efficiently than conventional filters.



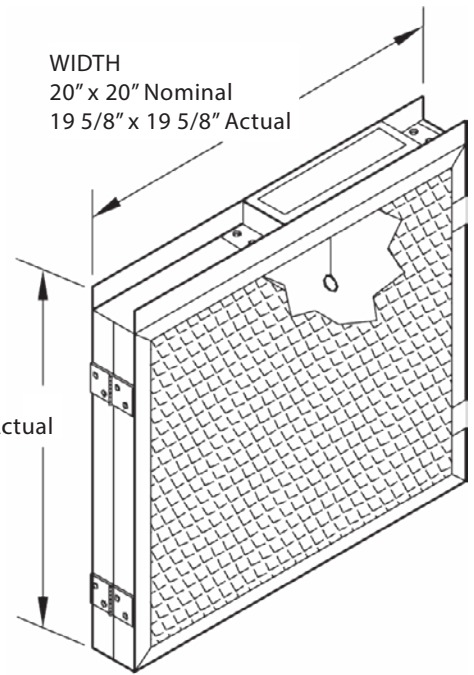
PLP CAPTURES

- **COARSE PARTICLES** (<10 microns)
 - Bacteria
 - Dust & dirt
 - Dust mites & debris
 - Mold spores
 - Pet dander
 - Pollen
- **FINE PARTICLES** (<2.5 microns)
 - Atmospheric dust
 - Pet allergens
 - Smog
 - Soot
 - Tobacco smoke
 - Viruses



PLP filter media is safe for use with germicidal UV lights. Most HVAC filters are not.

PURITY™ LOW PROFILE



1" POLARIZED HVAC FILTRATION SYSTEM

Simply remove your 1 inch filter and replace it with the Purity Low Profile. Your HVAC system is now equipped with an advanced filtration system that captures 97% of airborne particles down to 0.3 microns. These harmful particles trigger asthma, allergy symptoms and multiple chemical sensitivity symptoms.

HEIGHT
20" x 20" Nominal
19 5/8" x 19 5/8" Actual

Specifications			
Performance	97% @ 0.3 micron		
Pressure Drop	0.12" @ 300 FPM		
Dimensions	$\frac{3}{8}$" of filter size x 1" deep		
Electrical	24VAC, 0.07amps, 1.5VA, 50/60 Hz		
Warranty	Lifetime all parts except media		
Part Numbers (common sizes)			
18-32 VAC	Nominal Size	Actual Size	Replacement Media
TUV-PLP-FFR-24	24½ x 21½	24 ⅝ x 21 ⅝	TUV-PLPM-1-FFR-24
TUV-PLP-FFR-21	21 x 21½	20 ⅝ x 21 ⅝	TUV-PLPM-1-FFR-21
TUV-PLP-FFR-17.5	17 ⅝ x 21½	17 ¼ x 21 ⅝	TUV-PLPM-1-FFR-17.5
TUV-PLP-RXHF-24	24 ⅝ x 20	24 ¼ x 19 ⅝	TUV-PLPM-1-RXHF-24
TUV-PLP-RXHF-21	19 ⅝ x 20	19 ¼ x 19 ⅝	TUV-PLPM-1-RXHF-21
TUV-PLP-RXHF-17	15 ⅝ x 20	15 ¼ x 19 ⅝	TUV-PLPM-1-RXHF-17
Fits Rheem & Ruud Residential Air Handlers			

NOMINAL Vs. ACTUAL SIZE

Nominal size is the size of the space the filter fits in. So if the nominal size is 20" x 20", the actual size of the filter itself is 19 5/8" x 19 5/8".

If you are ordering custom size filters please specify if the size you are requesting is nominal or actual.

NOMINAL

ACTUAL

Width Height



800-741-1195

WWW.FRESH-AIREUV.COM

Made in USA

